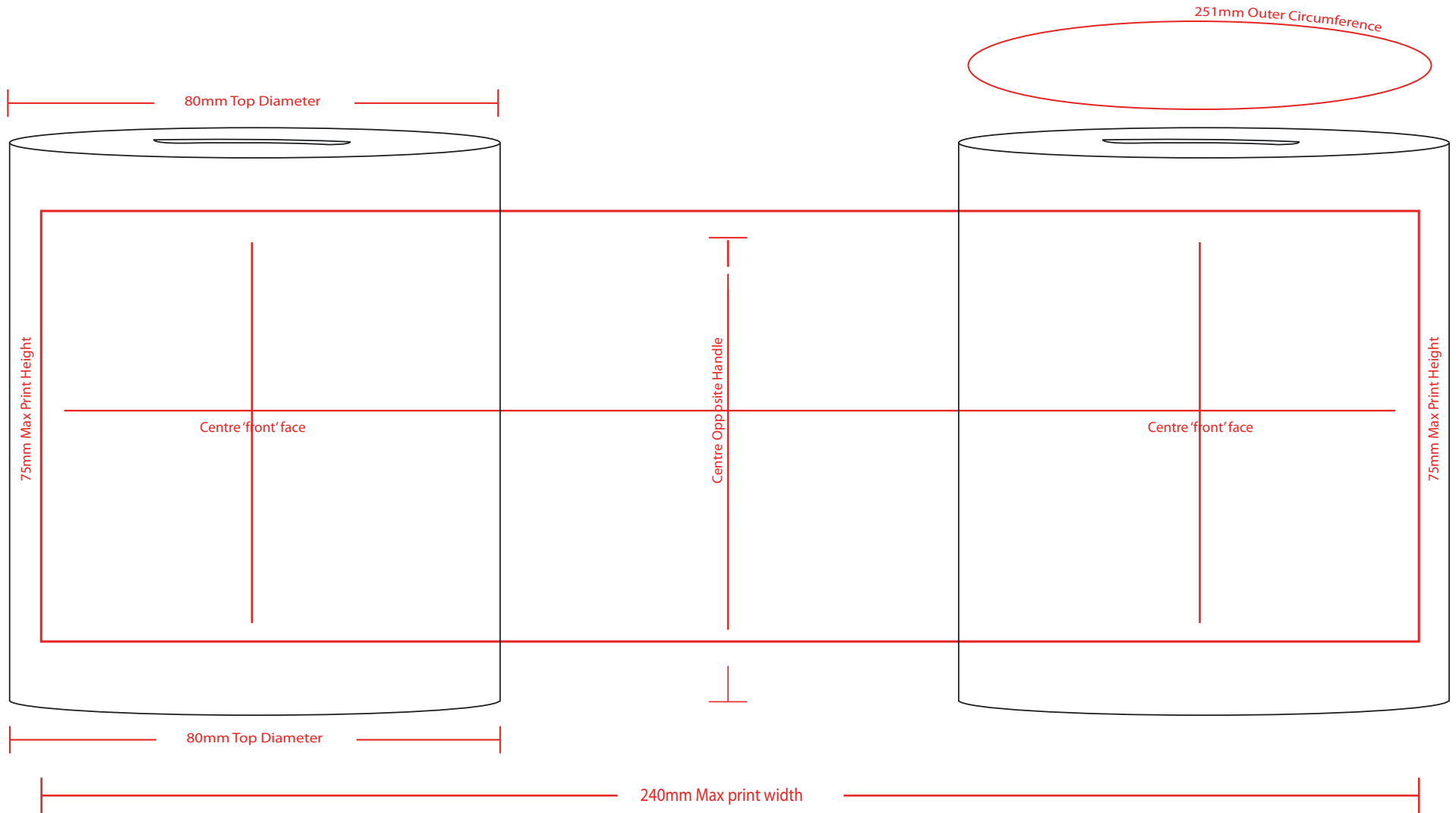


# MONEY BOX



**Please Note:**

All reference to 'front and back faces' assume mug is held in right hand.  
 Screen print lines should be 1pt (0.353 mm) minimum thickness to avoid drop out ('Reversed out' lines to be same to avoid fill in).  
 Text should be minimum 8pt to remain legible  
 All dimensions are subject to +/- manufacturing tolerances.

Print Methods	Print Area's
Dye Sublimation	240x75mm